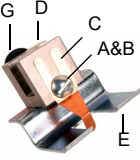




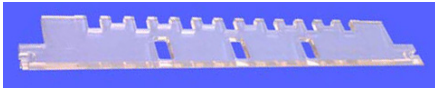
Replacement parts for: CHIEF 15, 115, 215, 17, 117, 217, 20, 22, 25/25 PROF,

	PART #		PART #	
	VARIABLE SPEED PULLEY 15, 17 115, 215, 117, 217	P-1629 (Gestetner) G-63E P-1627 (Gestetner) G-17E		LIFTING GEAR STUD For feeder ratchet 15, 115, 215, 117, 217 4" wide w/wide shoulder P-4519 4" wide w/thin shoulder P-4542
	V-BELTS 15, 17 (Motor to pump) 37" 15, 17 (Clutch to motor) 44" 15 (Clutch to drive shaft) 36" 17 (Clutch to drive shaft) 38"	P-4906 (Gestetner) G-6C P-4912 P-4905 P-4907 (Gestetner) G-27E		BLOWER TUBE BRACKET P-15168 (Gestetner) G-119G,G-128G *** Designed to fit both left and right hand sides.
	RUBBER SUCTION FOOT - X-series & Super Chief 2000 SUCKER FOOT (CUP)	P-5225 P-5204		UPPER PULLOUT FEED ROLLER P-15125 (Gestetner) G-17H
	SUCKER FOOT	P-5201 (Gestetner) G-229G		DOUBLE SHEET EJECTION ROLLER P-15273 (Gestetner) G-19H
	FLAT SUCKER FOOT	P-1552		PAPER RETAINER Center P-15433 (Gestetner) G-11S
	SUCKER TUBE HOLDER ASSEMBLY New style 15, 17 (A) Holder (B) Retainer clip (C) Screw (D) Set screw	P-15259 (Gestetner) G-16G P-15166 P-15227 P-137 P-864		CONVEYOR TAPE All models Cloth P-3900 Note: Tension can be adjusted by weights under conveyor.
	SHEET SEPARATOR (A) 15, 17 (B) X-Series & Super Chief	P-15114 P-52114		JOGGER SIDE GUIDE FEATHER SPRING Non-operators side R.H. P-15477 (Gestetner) G-16T Operators side L.H. P-15471 (Gestetner) G-11T
	SHEET SEPARATOR ASSEMBLY Complete (A) Screw (B) Washer (C) Sheet separator (D) Block (E) Plate (F) Screw (not shown) (G) Thumb screw	P-50112 P-293 P-573 P-52114 P-50113 P-50121 P-215 P-1019		COUNTER (no lever) 15 P-36954 (Gestetner) G-20K 17 P-27954 COUNTER ARM P-15956 (Gestetner) G-19K
	TIMING BELTS For feeder on X-Series & Super Chief 2000. Also for Davidson 500, 700 3/4" wide X 22-1/2" long 3/8" wide X 15" long	P-1662 P-4965		PAPER STOP By impression cylinder P-15383
	ELEVATOR HANDLE ASSEMBLY Table raise X-Series & Super Chief 2000	P-50955		ADJUSTING ARM For paper stop P-15853
	KNOB STUD For chain delivery & feed table handwheel	P-4521		PAPER STOP ARM ASSEMBLY P-15399
	FEEDER GUIDE Operators side & non-operators side	P-15048		FEELER FINGER P-15141 (Gestetner) G-55R (Gestetner) G-OW142

THIS IS JUST A SAMPLE OF OUR TOTAL INVENTORY

126, Super Chief 2000, X-Series • GESTETNER 115/117G, 211, 213, 311, 312, 313

PART #



PAPER DEFLECTOR 15,17,115,117,215,217 P-15241
(Gestetner) G-52R
PAPER DEFLECTOR X-Series, Super Chief P-255241
SCREW P-44



GRIPPER LEVER ASSEMBLY
P-15207
(Gestetner) G-3M & G-E14AØ59



GRIPPER FINGER SUPPORT ASSEMBLY
P-15187



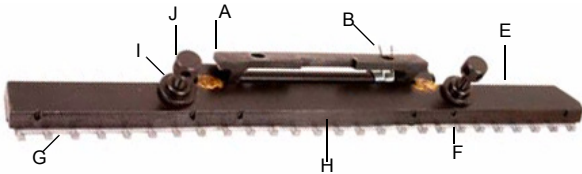
CLAMP LOCK For plate cylinder
P-115807



RETAINING BAR (20 point) Master cylinder
15N.S. & 17 O.S./N.S. P-15746



TENSION GUIDE ARM SCREW
For plate cylinder P-11468



TAIL CLAMP ASSEMBLY - X-Series & Super Chief 2000
Complete P-255367
(A) Clamp bracket P-255729
(B) Spring P-255724
(C) Retaining ring (not shown) P-669
(D) Shaft (not shown) P-255793
(E) Pin bar clamp P-255341
(F) Screw P-836
(G) Pin bar (8 point) P-255323
(H) Pin bar (10 point) P-255739
(I) Thumb nut P-11549
(J) Thumb screw P-11498



DRIVE & PUMP TOGGLE SWITCH
15, 17 O.S. & N.S. P-15305



DRIVE & PUMP ROCKER SWITCH
P-15826



RELAY P-4833

PART #

PLATE CYLINDER GEAR
15, 17, (14-1/2° PA) P-15313
(Gestetner) G-3P
115, 117, 215, 217 (20° PA) P-115313



BLANKET CYLINDER GEAR
15, 17 (14-1/2° PA) P-15214
(Gestetner) G-3N
115, 117, 215, 217 (20° PA) P-115214

115, 117, 215, 217 (20° PA) P-115191



SPRING ASSEMBLY Impression cylinder arm
15, 17 X-Series & Super Chief 2000
Complete P-15205
Clip P-6088
Spring P-15213



DRIVE SHAFT
15, 17 P-15583
115, 117, 215, 217 P-115583



INTERMEDIATE DRIVE GEAR
15,17 (14-1/2° PA) P-15865
(Gestetner) G-64R
P-15457
(Gestetner) G-E14H115,G-58L
115,117,215,217 (20° PA) P-115854



DRIVE GEAR For X-Series
P-255854



CLUTCH PULLEY REPAIR KIT
15, 17, 115, 117, 215, 217
Complete P-15564
Pulley cover P-15617
(Gestetner) G-35E
Shaft P-15614
(Gestetner) G-33E
Weights (set of 4 only) P-12593
(Gestetner) G-37E
V-Belt - 44" P-4912
V-Belt - 37" P-4906
(Gestetner) G-6C
Spring P-15591
(Gestetner) G-36E
Bearing (need 2) P-774
(Gestetner) G-3U
Key P-550
(Gestetner) G-ØWØ62



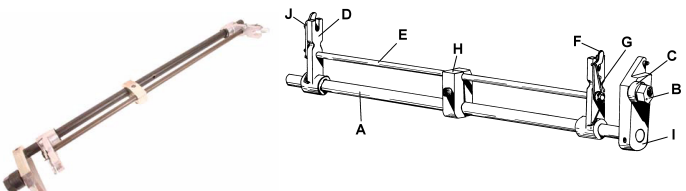


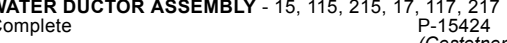
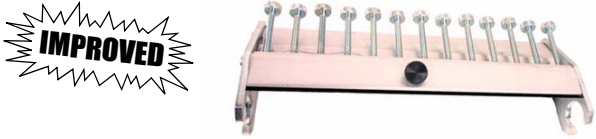


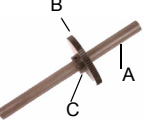
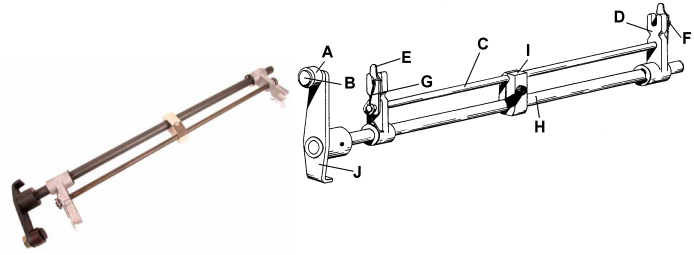






WATER CAM ASSEMBLY
Complete P-15262
(Gestetner) G-170UA
Cam P-15363
(Gestetner) G-9U, G-170U
P-15268
(Gestetner) G-163U
Water pawl P-15267
(Gestetner) G-LØØ4058
Pawl spring P-15355
Ink pawl P-15355
(Gestetner) G-66V



WATER STOP
15, 17, 115, 117, 215, 217 P-30379
X-Series & Super Chief 2000 1st. & 2nd. head P-5096
(Uses 16)

Replacement parts for: CHIEF 15, 115, 215, 17, 117, 217, 20, 22, 25/25 PROF,

PART #		PART #	
	FRICITION BEARING For water fountain roller 15, 17 P-5525 (Gestetner) G-157U		WORM GEAR ASSEMBLY Inker unit P-15446 (Gestetner) G-192V
			INK IDLER GEAR P-15455
			OSCILLATING WORM Ink & water P-15464 (Gestetner) G-134V
			DOG Ink P-15463 (Gestetner) G-138V
	WATER DUCTOR ASSEMBLY - 15, 115, 215, 17, 117, 217 Complete P-15424 (Gestetner) G-443		IMPROVED
(A) Shaft P-15540 (Gestetner) G-161U-S			... DESIGNED WITH REPLACEABLE END CAPS.
(B) Stud P-4500			INK FOUNTAIN ASSEMBLY
(C) Cam roller P-1450			15, 115, 215 - (Gestetner) G-E31H477 P-15071
(D) Arm P-15607 (Gestetner) G-21U2			Fountain only - (Gestetner) G-70V P-15072
(E) Yoke shaft P-15340 (Gestetner) G-2Ø42			INK FOUNTAIN ASSEMBLY With deeper ink well for 50% more ink capacity.
(F) Latch P-15551 (Gestetner) G-60U, G-91V			17, 117, 217 P-17766
(G) L.H. Spring P-15336 (Gestetner) G-62U, G-93V			Fountain only - (Gestetner) G-3V-3 P-17789
(H) Center pivot P-15322 (Gestetner) G-161UP			THUMB SCREW P-11474
(I) Lever arm P-15344 (Gestetner) G-83VA			
(J) R.H. Spring P-15331 (Gestetner) G-61U, G-ØU56			
	WASH UP BLADE Black rubber 15 O.S. (11" X 11/16") Tan 15, 17, (11-3/8" X 1-1/2") 215, 217 (11 X 2-1/8") XL, Super Chief 1st. head (13-3/4" X 1-1/8") XL, Super Chief 2nd. head (13-3/4" X 2-1/16")		
	C-2167H-32 C-2171D-524 P-30309 P-30238 P-30217		INK FOUNTAIN BLADE 15, 115, 215 P-15079 (Gestetner) G-73V
			17, 117, 217 Bigger blade for deeper ink well. P-17233 (Gestetner) G-11V2
			Note: * Due to the variations of ink fountains it may be necessary to file the side of the blade stamped "O" for a perfect fit.
	WATER FOUNTAIN SHAFT & RATCHET 15, 17 P-15402 115, 117, 215, 217 P-115402 (A) Shaft 15, 17 P-15371 (A) Shaft 115, 117 215, 217 P-115371 (B) Ratchet P-15370 (C) Pin P-381		
	SHAFT For water form roller 15, 17, 115, 117, 215, 217 P-15378 (Gestetner) G-15ØU		INK DUCTOR ASSEMBLY Complete P-15690
	WATER DUCTOR LEVER SPRING P-15549		(A) Cam roller P-1431 (Gestetner) G-85V
	CAM ROLLER Water oscillator arm P-5831 (Gestetner) G-129U		P-8096 (Gestetner) G-86V
	TIMING BELT 17, 117 (water) P-1660 (Gestetner) G-5R2 215, 217 (second water head) P-1654		P-15550 (Gestetner) G-89V
			P-15572 (Gestetner) G-89V
			P-15572 (Gestetner) G-F14V012
			P-15551 (Gestetner) G-60U
			P-15331 (Gestetner) G-61U
			P-15336 (Gestetner) G-62U
			P-15332 P-15322 (Gestetner) G-161UP
			P-15334 (Gestetner) G-83VA

THIS IS JUST A SAMPLE OF OUR TOTAL INVENTORY

126, Super Chief 2000, X-Series • GESTETNER 115/117G, 211, 213, 311, 312, 313

PART #



CONNECTING LINK BAR For chain delivery
15, 17, 115, 117, 215, 217

P-151596
(Gestetner) G-120CP



ARM EXTENSION ASSEMBLY For chain pile delivery
15, 17, 115, 117, 215, 217

P-151597



DELIVERY ROLL GRIPPER

P-15644
(Gestetner) G-OW138
(Gestetner) G-33Q



BACK STOP STRIPPER For chain delivery
P-152280



GRIPPER SUPPORT

P-15586



GRIPPER CHAINS (set of 2)

15, 17, 115, 117, (Super Chief 2000 & X-Series 1st. head)

P-8945
(Gestetner) G-548C3
G-E1ØA323

215, 217, (X-Series & Super Chief 2nd. head)
22

P-8949
P-8969



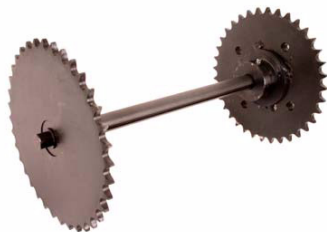
CONNECTING LINK

P-8700



PICK UP CAM ASSEMBLY To open gripper bars

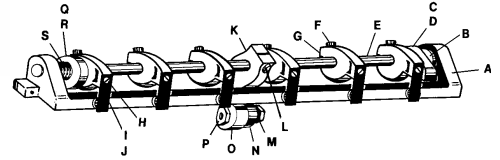
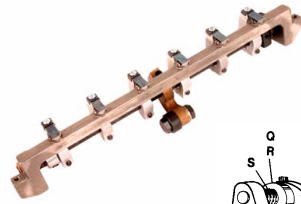
P-151240
(Gestetner) G-511C3



SPROCKET & SHAFT ASSEMBLY Chain delivery
15, 17, 115, 117, 215, 217

P-151160
(Gestetner) G-113CP
G-E1ØA157, G-E1ØA287

PART #



GRIPPER BAR ASSEMBLY

*** Anvil is made of reinforced cast zinc which prevents bowing and lasts longer.

- | | |
|---|-----------------------------------|
| Complete | P-150990
(Gestetner) G-125CP |
| (A) Anvil | P-151090
(Gestetner) G-126CP |
| (B) Retaining ring | P-670 |
| ** Gripper shaft assembly (C) - (E) | P-151010 |
| (C) Stop block | P-151063 |
| (D) Roll pin | P-376 |
| (E) Shaft | P-151060 |
| (F) Cap screw | P-40 |
| (G) Gripper holder | P-151061 |
| (H) Screw | P-187
(Gestetner) G-HS158 |
| (I) Hold down clip | P-151062
(Gestetner) G-HW307 |
| (J) Gripper finger | P-151020
(Gestetner) G-HW306 |
| ** Gripper operating lever assembly (K) - (P) | P-151040 |
| (K) Gripper operating lever | P-151041
(Gestetner) G-E10A173 |
| (L) Cap screw | P-39
(Gestetner) G-CS42U |
| (M) Hex nut | P-479
(Gestetner) G-L0HT051 |
| (N) Lock washer | P-627 |
| (O) Cam roller | P-1424
(Gestetner) G-L0HW309 |
| (P) Shoulder screw | P-8037
(Gestetner) G-L0HS159 |
| (Q) Collar (comes with set screw) | P-98137 |
| (R) Set screw | P-2 |
| (S) Spring | P-151080
(Gestetner) G-L0HU124 |

GRIPPER BAR REPAIR KIT - Super Chief 2000 & X-Series
Consists of (B - D, F - P, Q, & S) P-30736



REPAIR KITS

HAS YOUR PRESS EVER BEEN DOWN DUE TO A SIMPLE PIN OR SPRING?
YOU CAN ELIMINATE COSTLY DOWN TIME IN MINUTES WITH YOUR OWN EMERGENCY KIT DESIGNED TO CONVENIENTLY FIT IN YOUR DESK DRAWER.

EACH KIT COMES IN IT'S OWN MULTI-COMPARTMENT RECLOSABLE BOX FOR QUICK, EASY SELECTION AND STORAGE. PART NUMBERS FOR THE INDIVIDUAL ITEMS ARE ALSO INCLUDED INSIDE.

- | | |
|-------------------|--------------------|
| MASTER KIT | P-1765 - 880 pcs. |
| JUNIOR KIT | P-31136 - 432 pcs. |
| NUT KIT | P-1763 - 60 pcs. |
| WASHER KIT | P-1764 - 68 pcs. |
| SCREW KIT | P-1760 - 376 Pcs. |
| RING KIT | P-1761 - 100 pcs. |
| PIN KIT | P-1762 - 180 pcs. |
| SPRING KIT | P-30326 - 96 pcs. |